

(19)



(12)

(10)

(45)

(21) 201910271563.7

(56)

(22) 2019.04.04

CN 204246108 U, 2015.04.08

(65)

CN 107788946 A, 2018.03.13

CN 109864698 A

CN 102151119 A, 2011.08.17

(43) 2019.06.11

CN 201524063 U, 2010.07.14

(73)

CN 108209854 A, 2018.06.29

453007

46

CN 101288584 A, 2008.10.22

US 3947098 A, 1976.03.30

(72)

(74)

() 41139

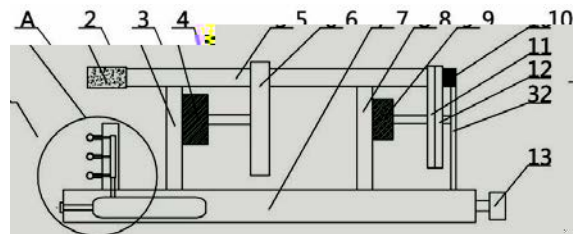
(51) Int. Cl.

A61B 3/032(2006.01)

A61M 21/02(2006.01)

(54)

(57)



E

1.

2.

1

[0001]

[0002]

5

E

5

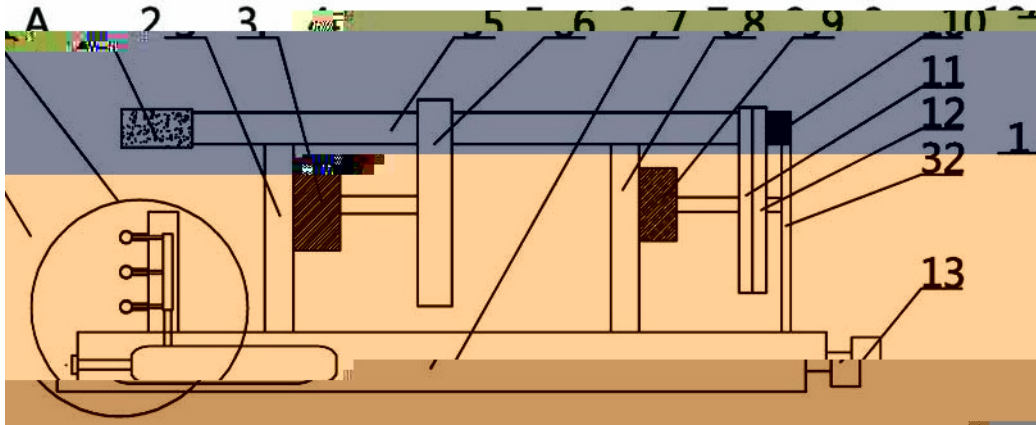
[0003]

[0004]

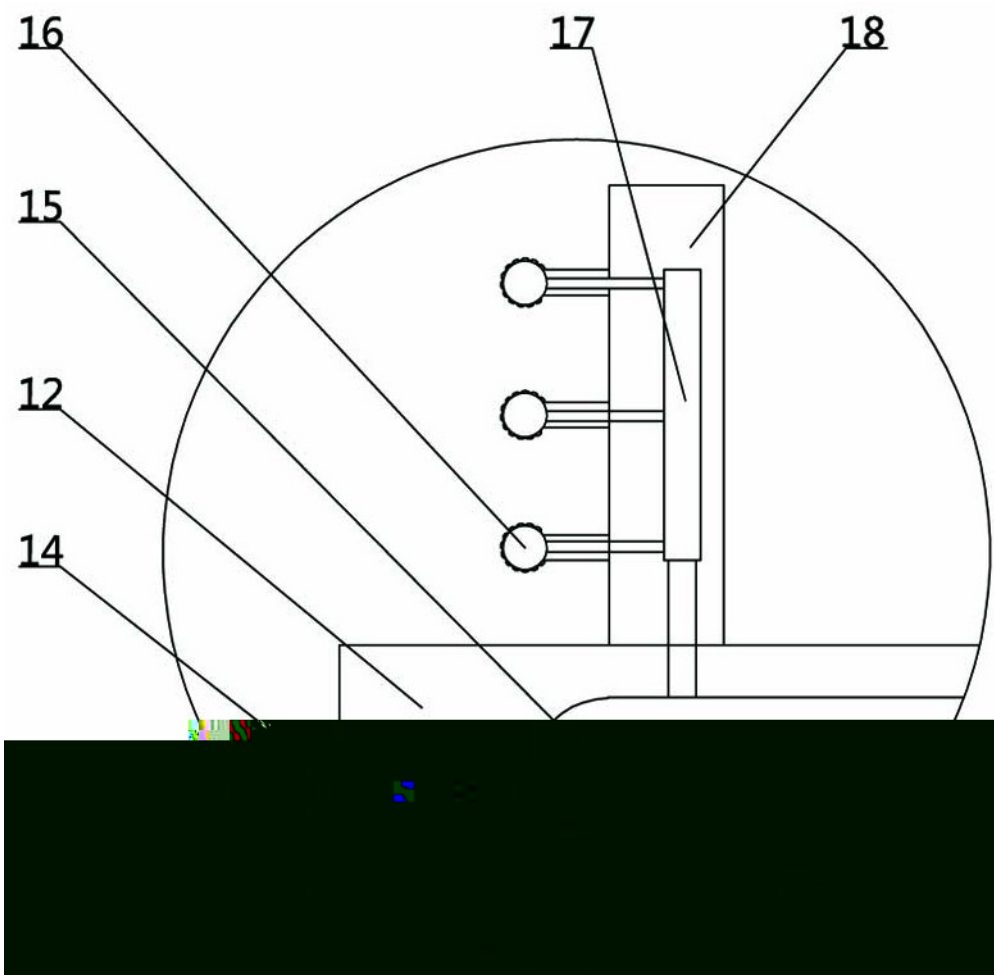
[0009]

0

5 5 2 3 4 4
6 6 6 6 7
8 8 9 9 11 11
35 35 34 34 35 11
33 33 33 36
36 39 8 7 32 32 32
10 32 12 12 37
37 38 7 13
[0024] 13 1 4
6 5 9 11 33
12 38 33 E 36 36 39
38 38 16
28 2 33 E E
16 21 21 22 24
28 26 26 26 25
25 21 28 20 22 21
9 11 33
16 28 16 21 6
16 16 6
6 11 10 11 33
16

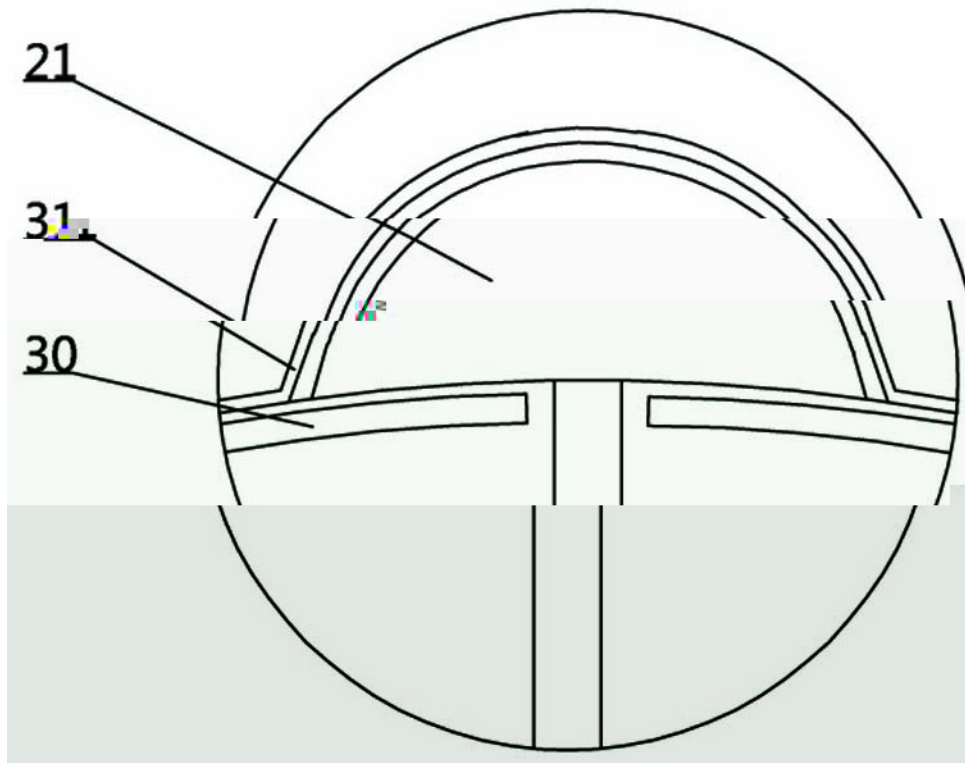


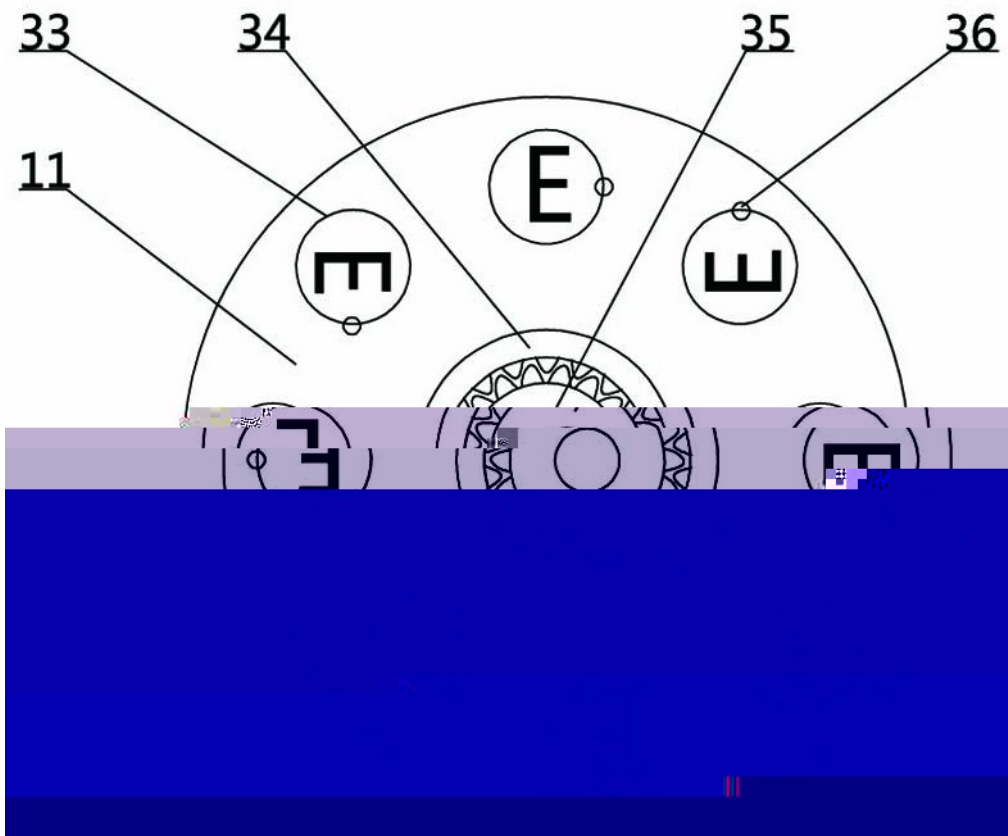
1

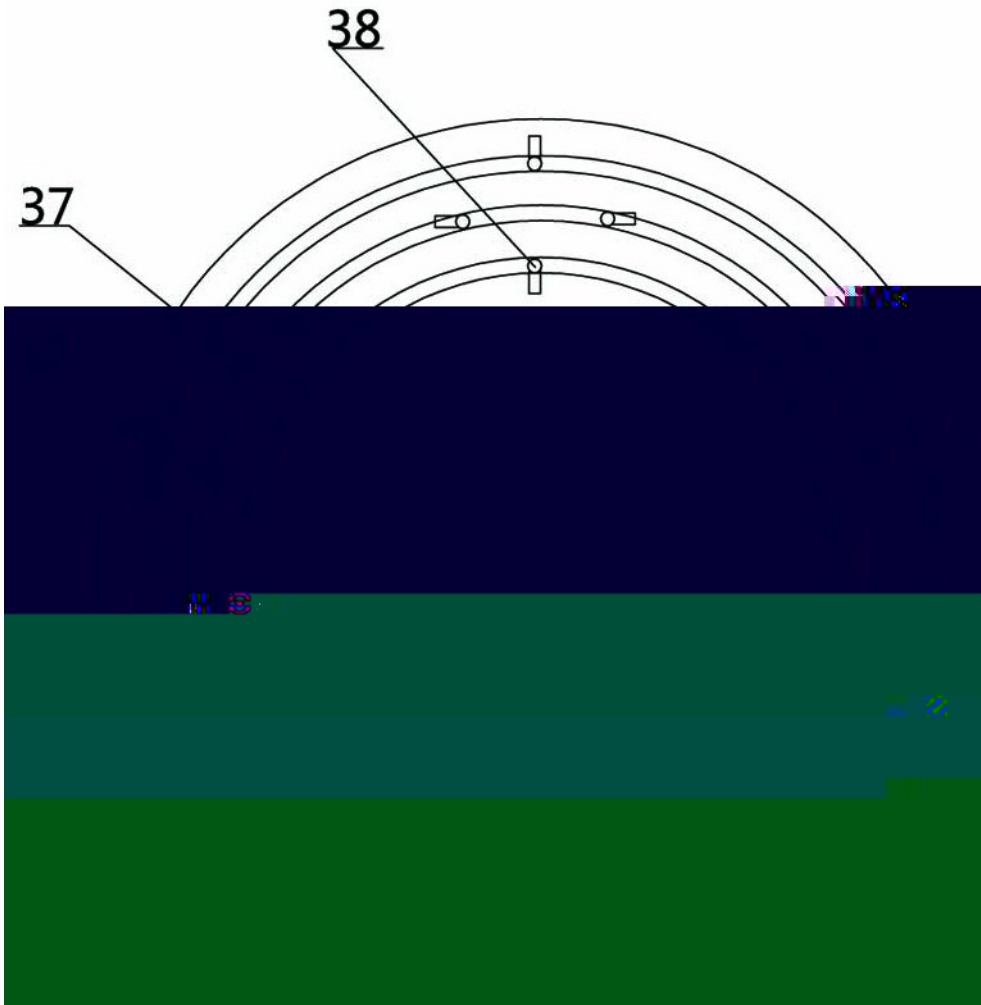


2









36

39

